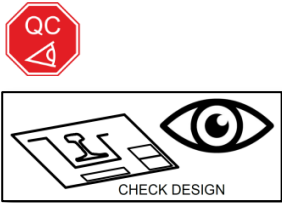

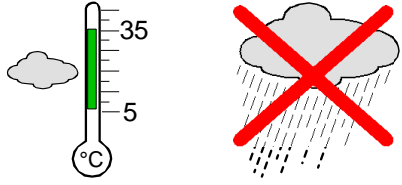
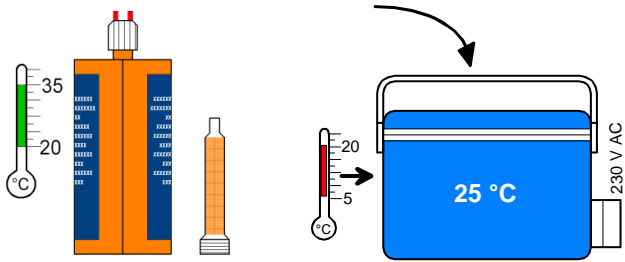
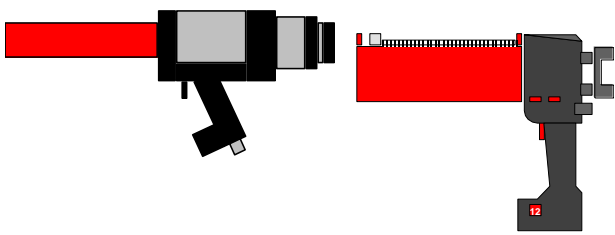
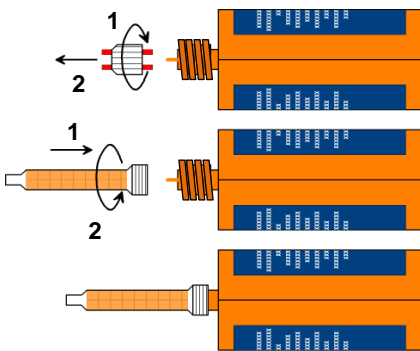
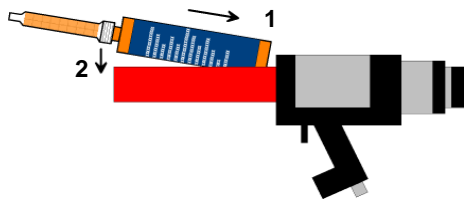
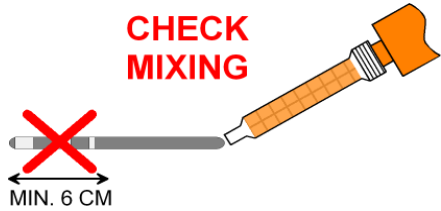
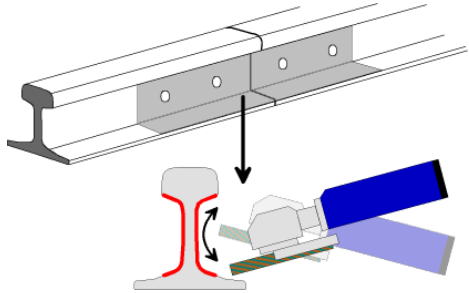
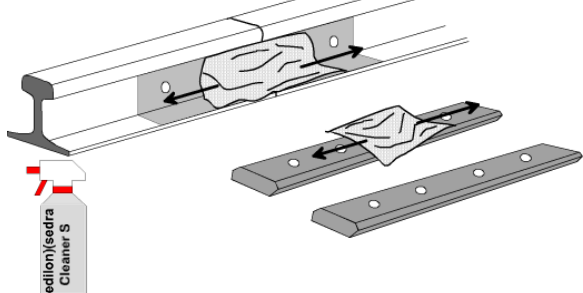
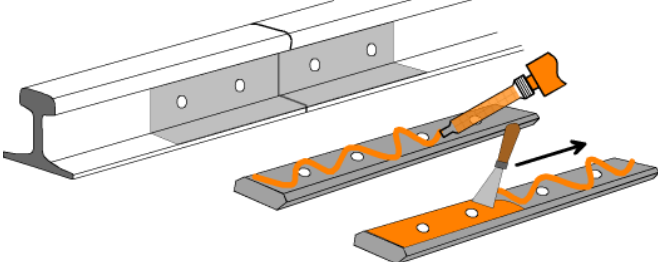
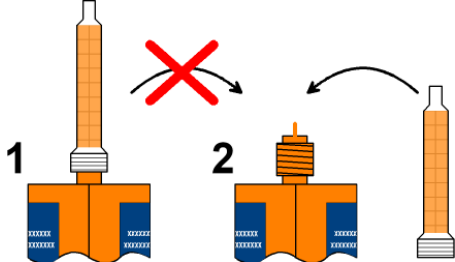



edilon)(sedra Dex[®]-L 2K tix

QUALITY CONTROL	SAFETY	CONDITIONS
	 <p>SDS Dex-L 2K tix</p>	

edilon)(sedra Dex [®] -L 2K tix & edilon)(sedra Cartridge Heater	edilon)(sedra Adhesive Dispenser
<p>1</p> 	<p>2</p> 
<p>3</p> 	<p>4</p>  <p>5</p> <p>CHECK MIXING</p>  <p>MIN. 6 CM</p>
<p>6</p> 	<p>7</p> 
<p>8</p> 	<p>9</p> 

 → PDS Dex-L 2K tix

Date of issue: 28 May 2018



edilon)(sedra bv
Nijverheidsweg 23
NL-2031 CN Haarlem

P.O. Box 1000
NL-2003 RZ Haarlem

T +31 / (0)23 / 531 95 19
F +31 / (0)23 / 531 07 51

mail@edilonsedra.com
www.edilonsedra.com

User data sheet
edilon)(sedra Dex-L 2K tix

Reference:
Page:

UDS Dex-L 2K tix (EN) 071202 rev 01